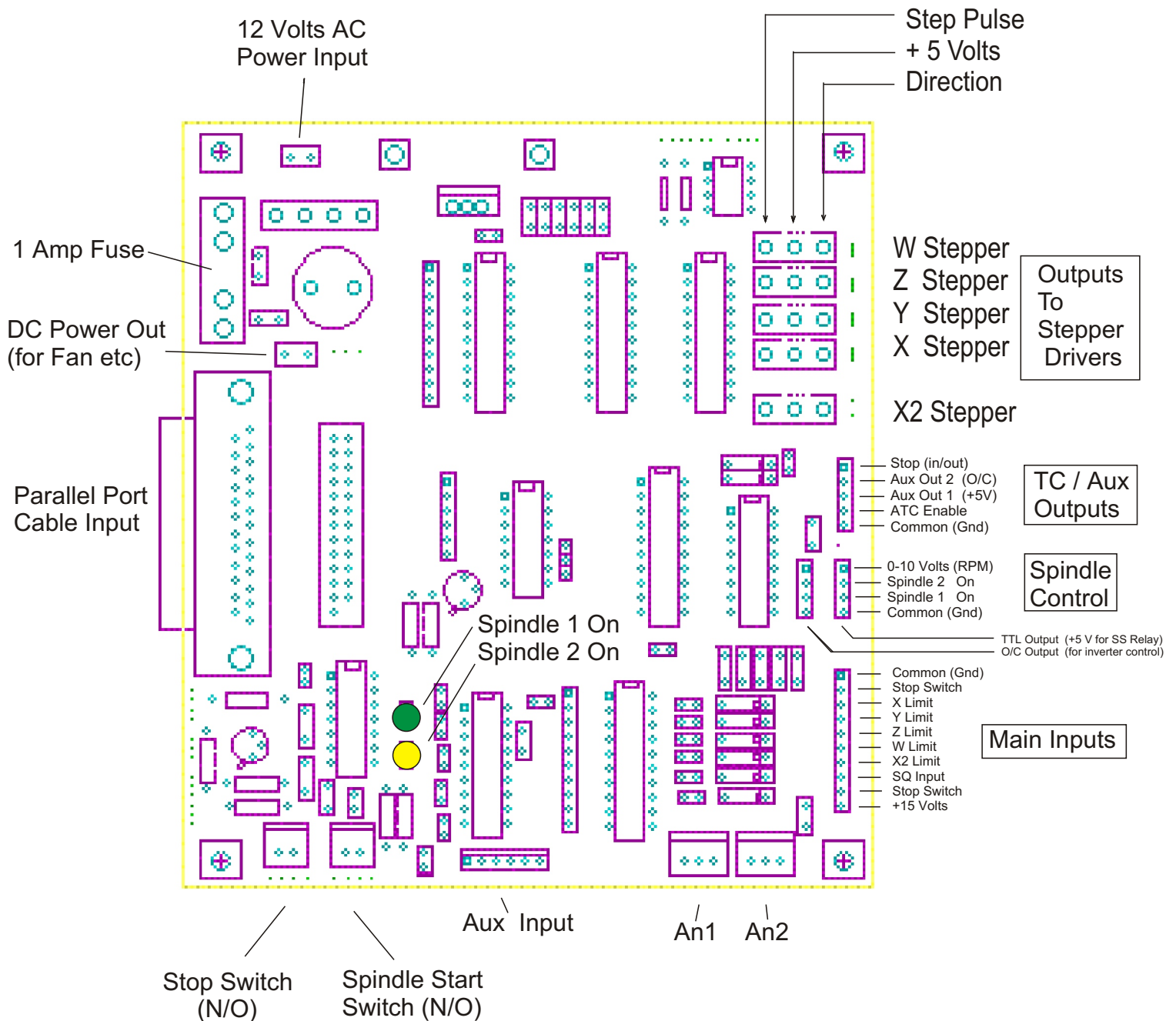
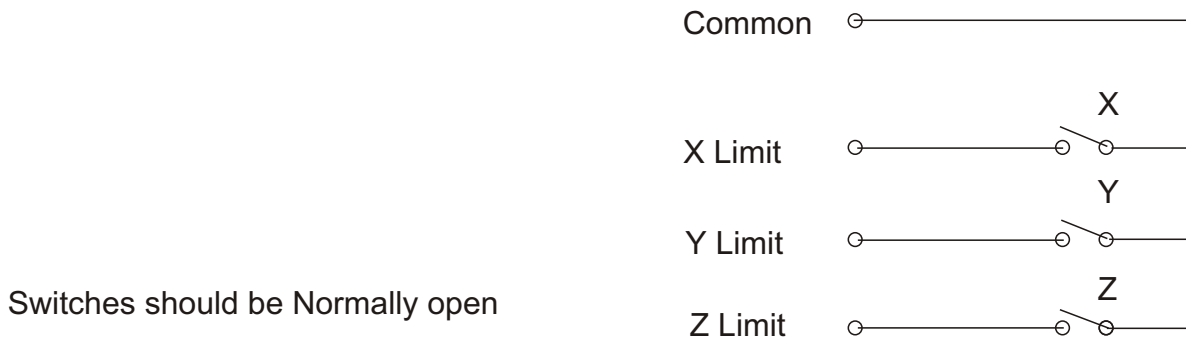


Larken Lcam Interface board Connection diagram



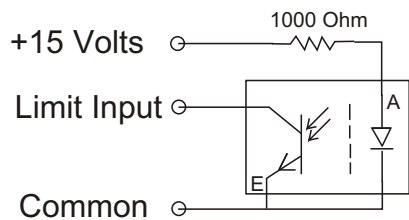
Connecting Limit switches to the Larken Interface board

Using Micro Switches for home/overtravel switch

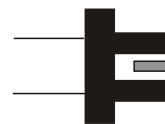


Note : The 'Limit SW polarity' setting should be set to 0 for Normally Open

Using an Opto Switch for home/overtravel switch



Opto Interrupter Module

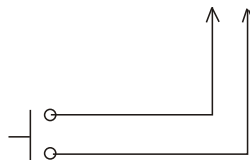


Vane can be mounted on each end of Axis

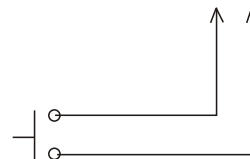
Digi-key PN / H21B1QT-ND
(Darlington output)

Note : The 'Limit SW polarity' setting should be set to 1 for Normally Closed

Emergency Stop and Spindle Start Buttons



Emergency Stop



Spindle Start

Both use N/O (normally open) push button switches